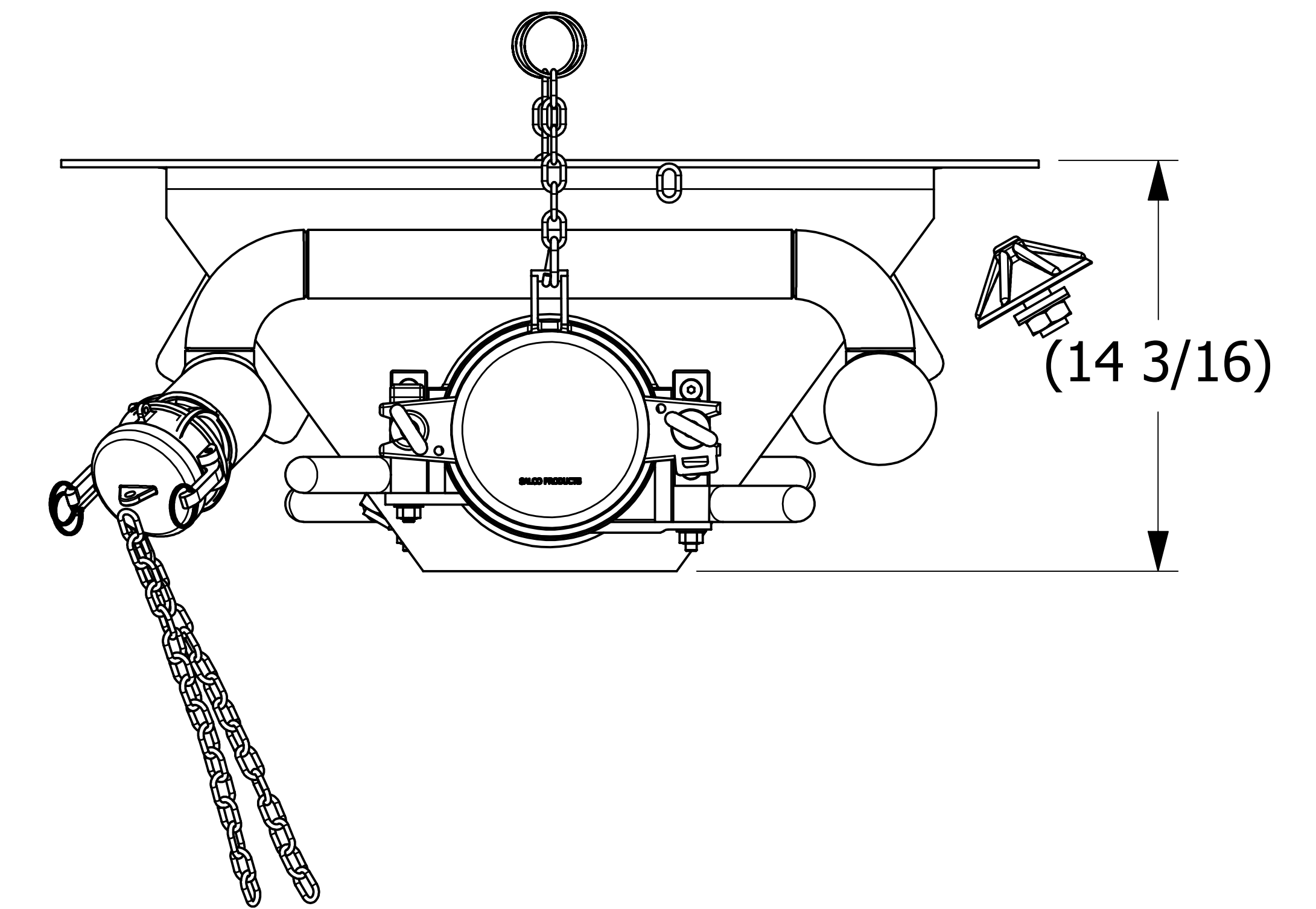
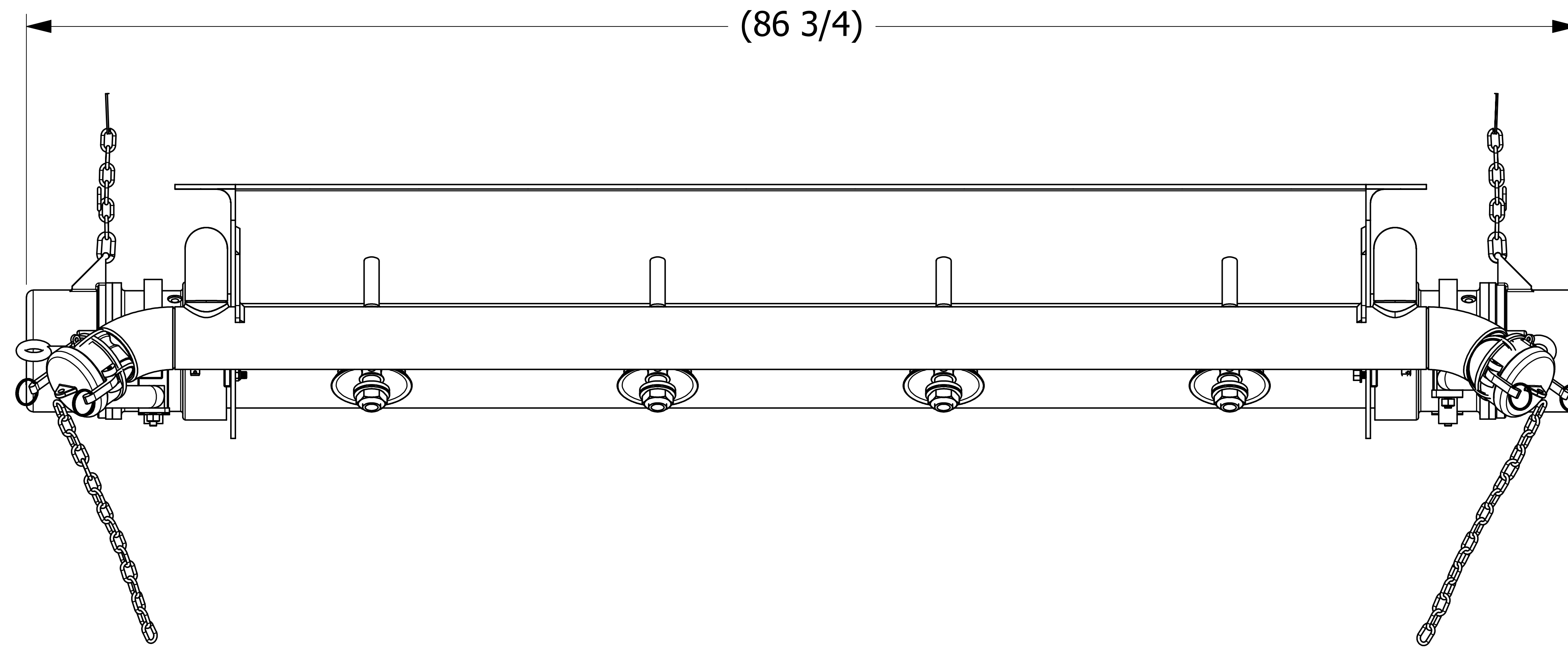
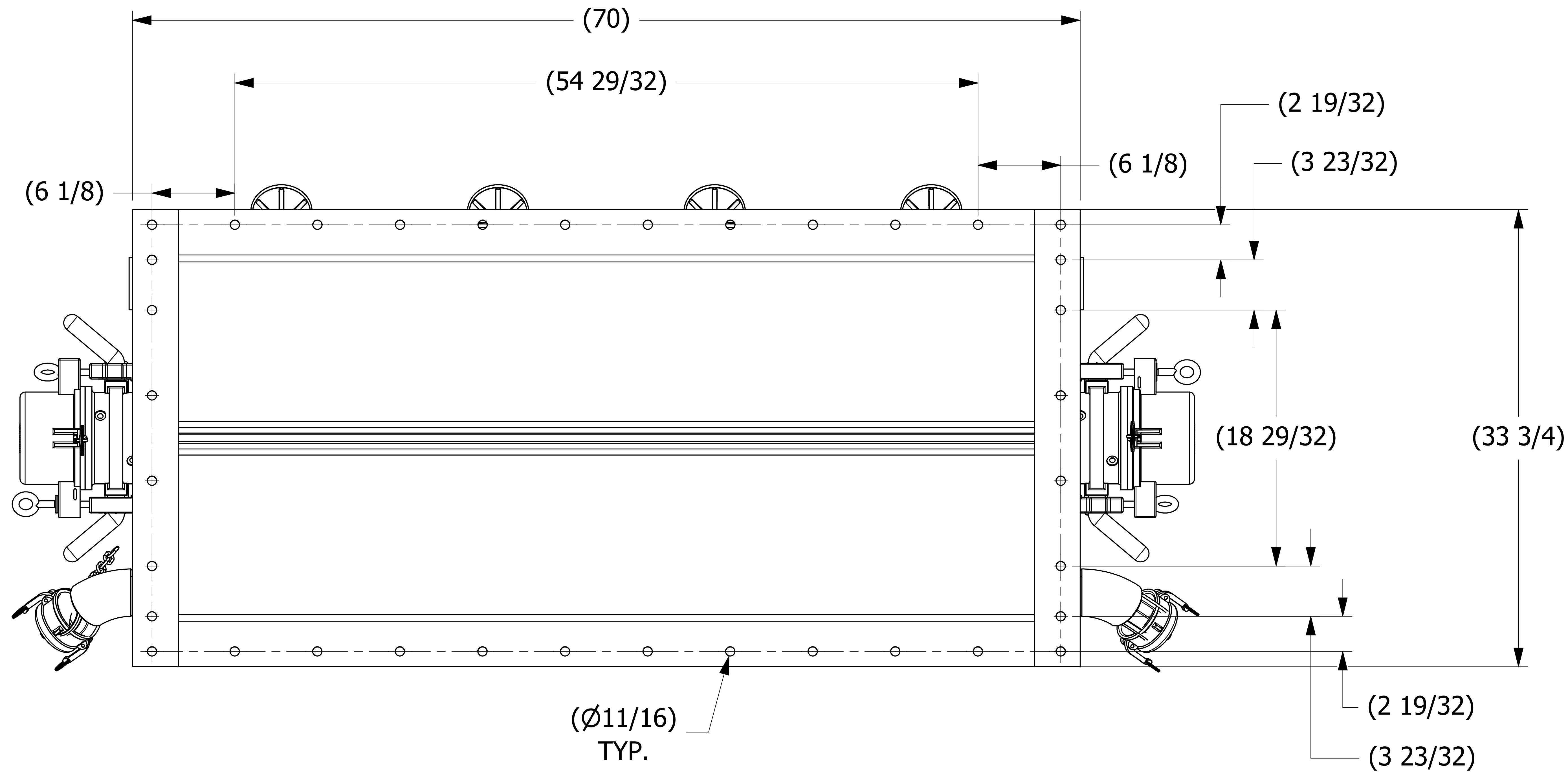


SALES DRAWING SALES DRAWING

SALES DRAWING SALES DRAWING



C	GS	6-20-13	UPDATED TITLE BLOCK, PART DESCRIPTION, & BOM.
B	MR	12/02/08	GATE REDESIGNED FOR 8 FLUIDIZING PADS.
A	CHL	10-27-08	NEW PART ADDED TO SYSTEM.
REV	BY	DATE	DESCRIPTION

UNLESS OTHERWISE SPECIFIED DIMENSIONAL TOLERANCES FRACTIONAL: ±1/16 X.XX: ±.03 X.XXX: ±.015 ANGULAR: ±1° DEBURR ALL SHARP EDGES. ALL MACHINED SURFACES TO HAVE A 125 RMS FINISH UNLESS NOTED OTHERWISE. THIRD ANGLE PROJECTION	DRAWN BY:	ACC
	CHECKED BY:	PJG
	PROTOTYPE BY:	ACC
	PROTOTYPE DATE:	7/16/2015
	APPROVED FOR PRODUCTION BY:	ACC
	PRODUCTION DATE:	10/27/2008

SALCO PRODUCTS, INC.		
PART NAME: OUTLET GATE SALCO 4590-CV		
MATERIAL: ALUMINUM		
PROJECT #: 040520	SHEET #: 1 OF 1	SCALE: 1:1
DRAWING #: E19233	PART #: RC111AKAA	